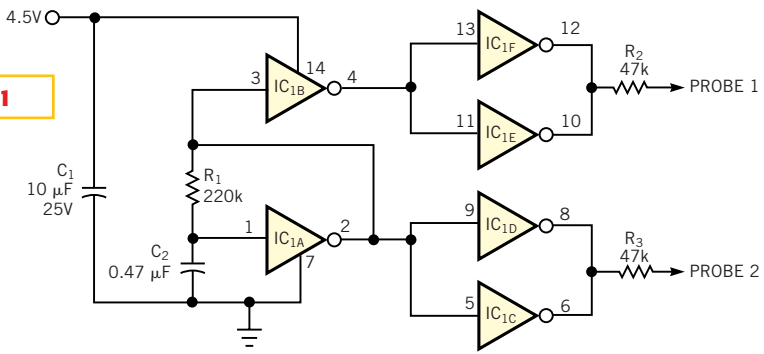


**Figure 1**



**This simple circuit tests LCDs by producing a biphas square wave with no dc component.**