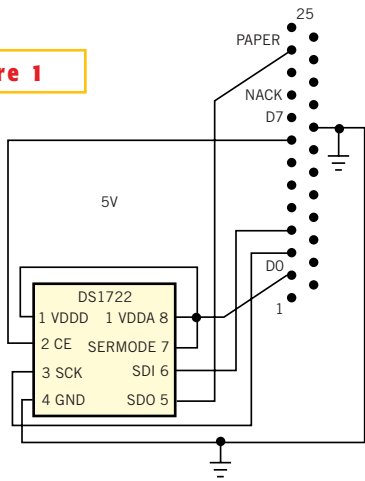


Figure 1



The DS1722 connects to a PC's parallel port through a male DB-25 connector, seen from the pin side.