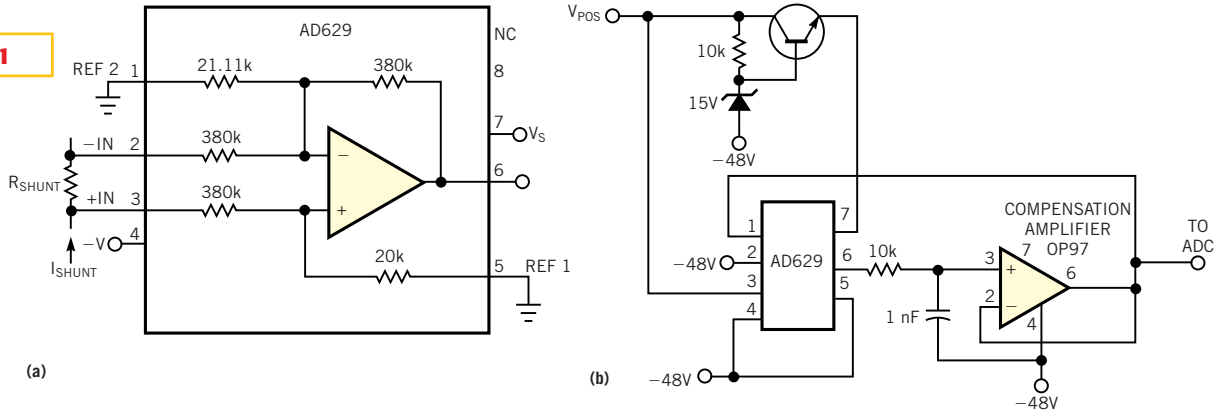


**Figure 1**



A basic monitoring circuit (a) uses a difference amplifier for high-line current sensing; the complete circuit (b) requires just two ICs.