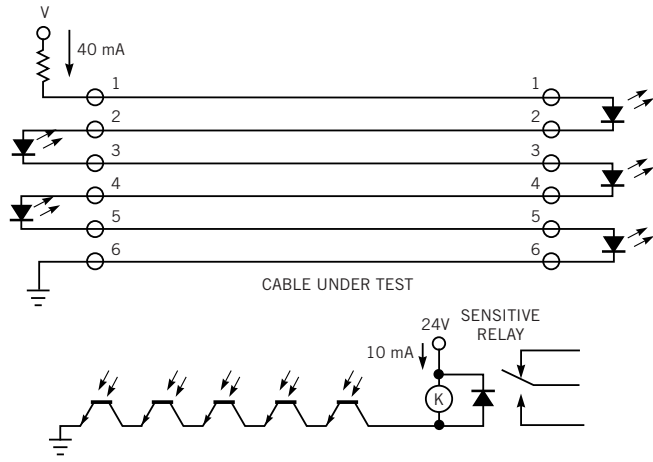


Figure 1



This simple cable-testing method tests for continuity as well as short circuits.