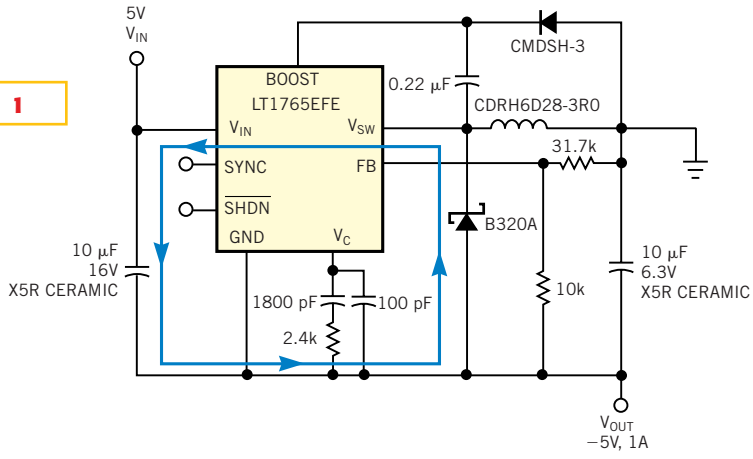


Figure 1



This +5-to--5V converter with the bulk input capacitor between V_{IN} and V_{OUT} has low output ripple. The high-di/dt path, indicated here with blue lines, does not include the output capacitor.