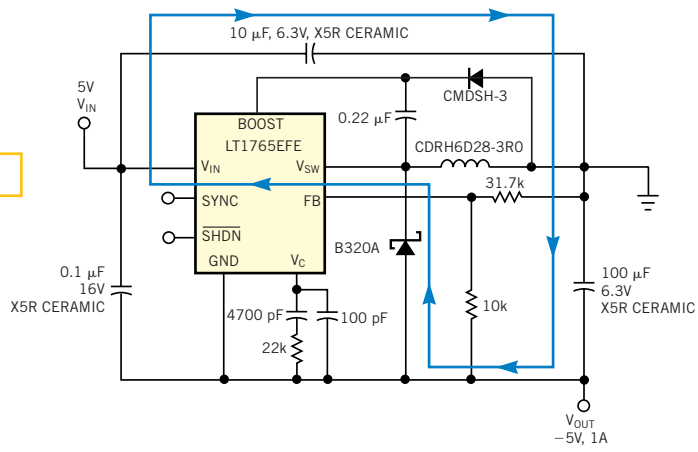


Figure 2



This +5-to-−5V converter with the bulk capacitor between V_{IN} and ground has much higher output ripple than the circuit in Figure 1. The high- di/dt path, indicated here with blue lines, includes the output capacitor, thus increasing output ripple.