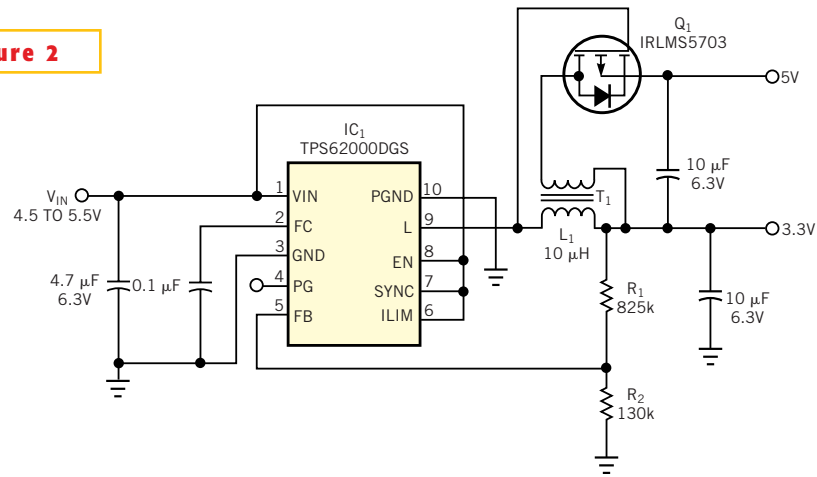


Figure 2



This circuit is similar to the one in Figure 1, but uses an integrated buck-converter IC.