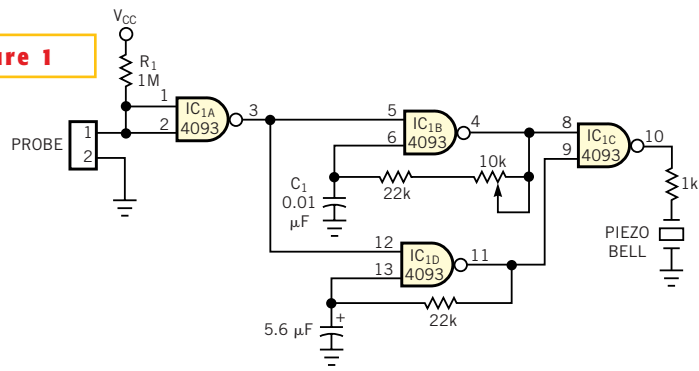


Figure 1



Detect water level in a swamp-cooler reservoir with this simple circuit.