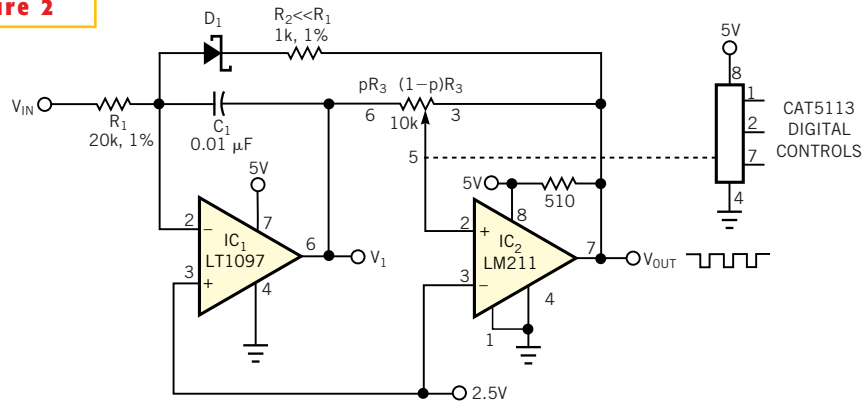


Figure 2



Using a digitally programmable potentiometer, you can vary the scale factor of this voltage-to-frequency converter.