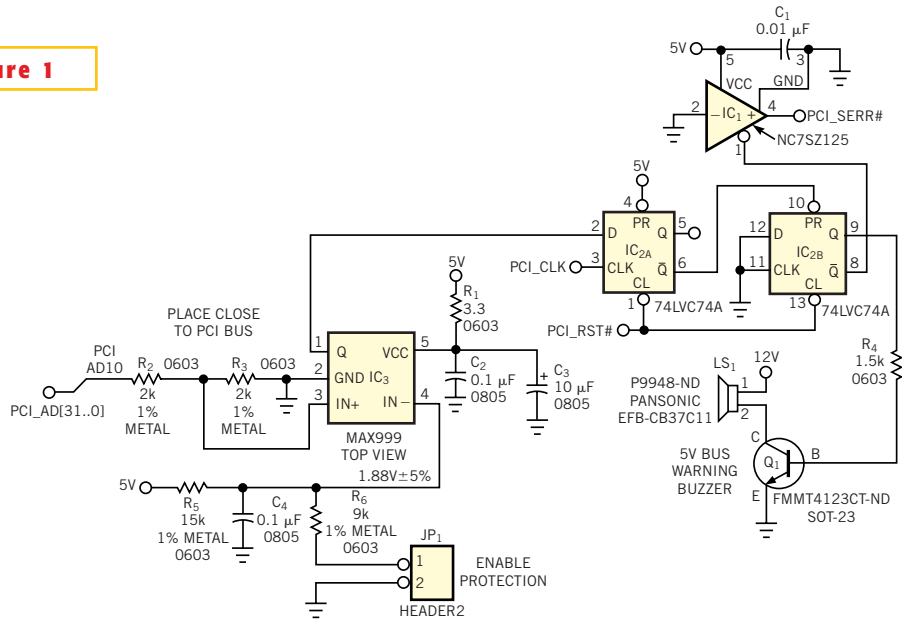


Figure 1



This circuit provides both an audible alarm and an error flag when an overvoltage condition exists.