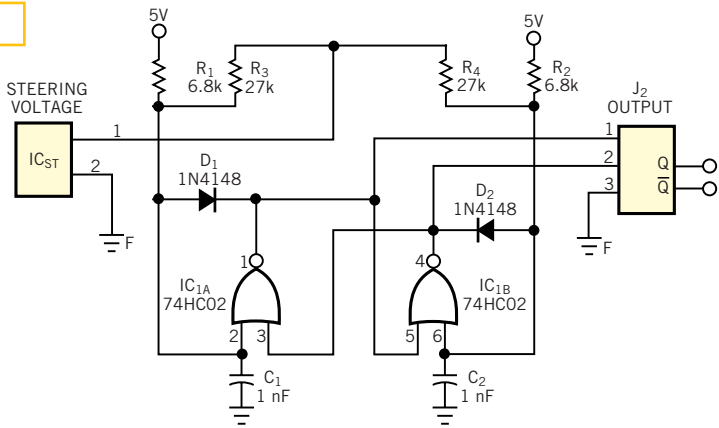


Figure 1



This unique VCO, implemented with discrete logic, has a wide tuning range.