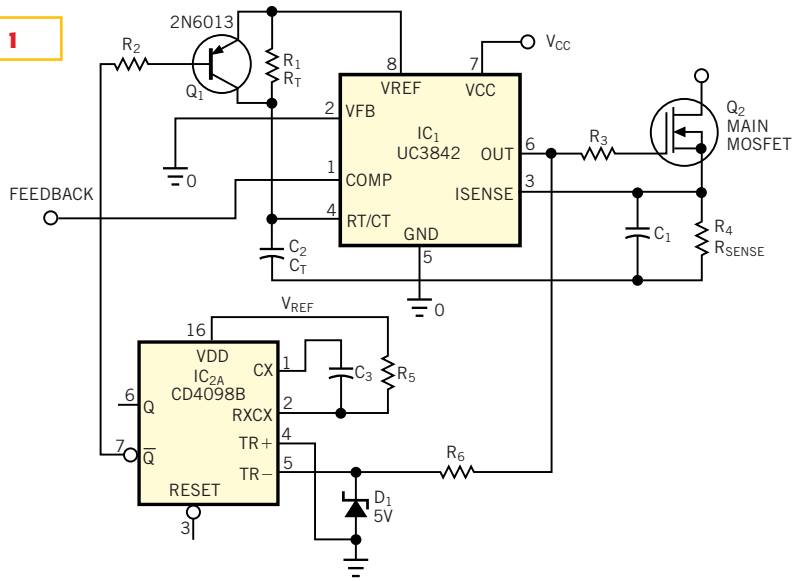


Figure 1



This resonant flyback configuration uses only a controller IC and a one-shot multivibrator.