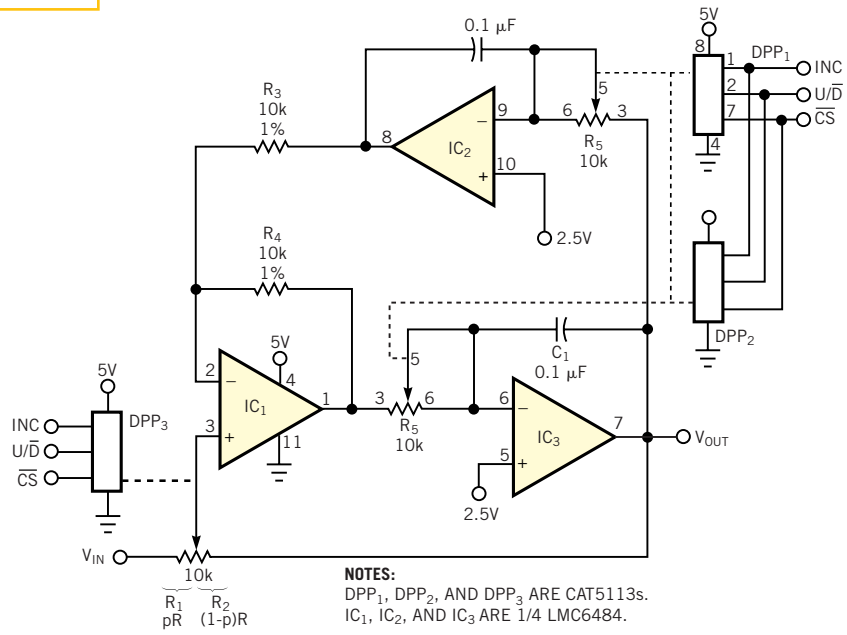


**Figure 1**



Using digitally programmable potentiometers, you can control a passband filter's center frequency and gain.