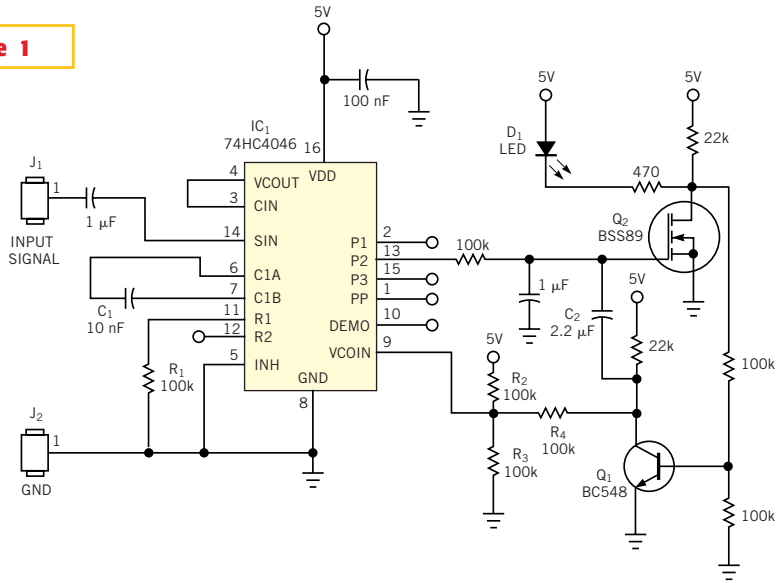


Figure 1



This analog frequency comparator uses an LED to indicate upper and lower frequency limits.