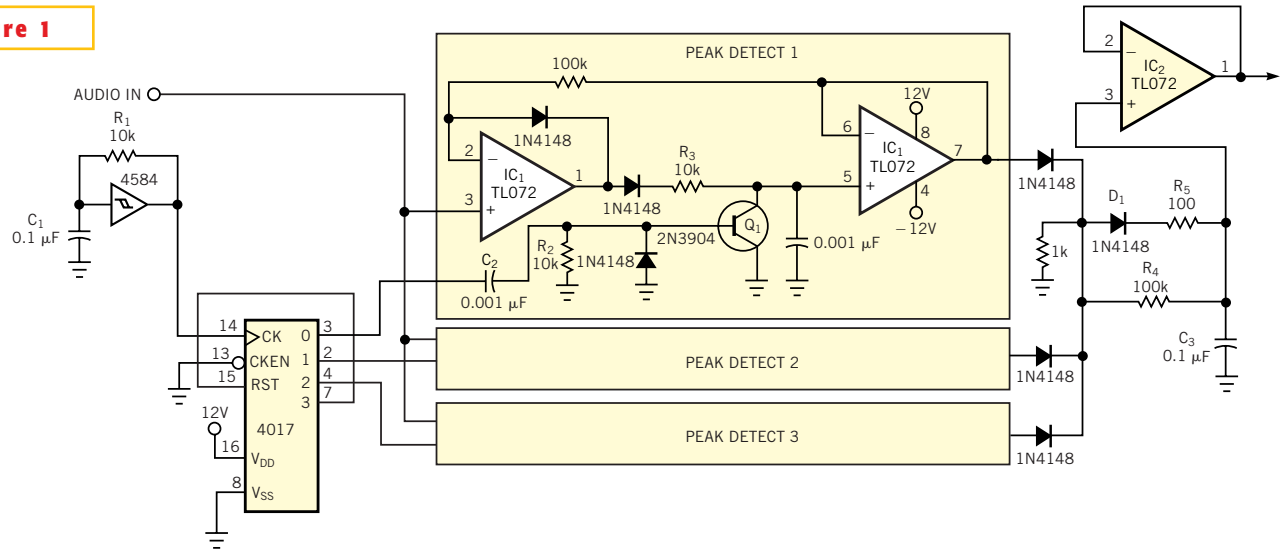


Figure 1



This envelope detector provides the seemingly contradictory features of fast response and low ripple.