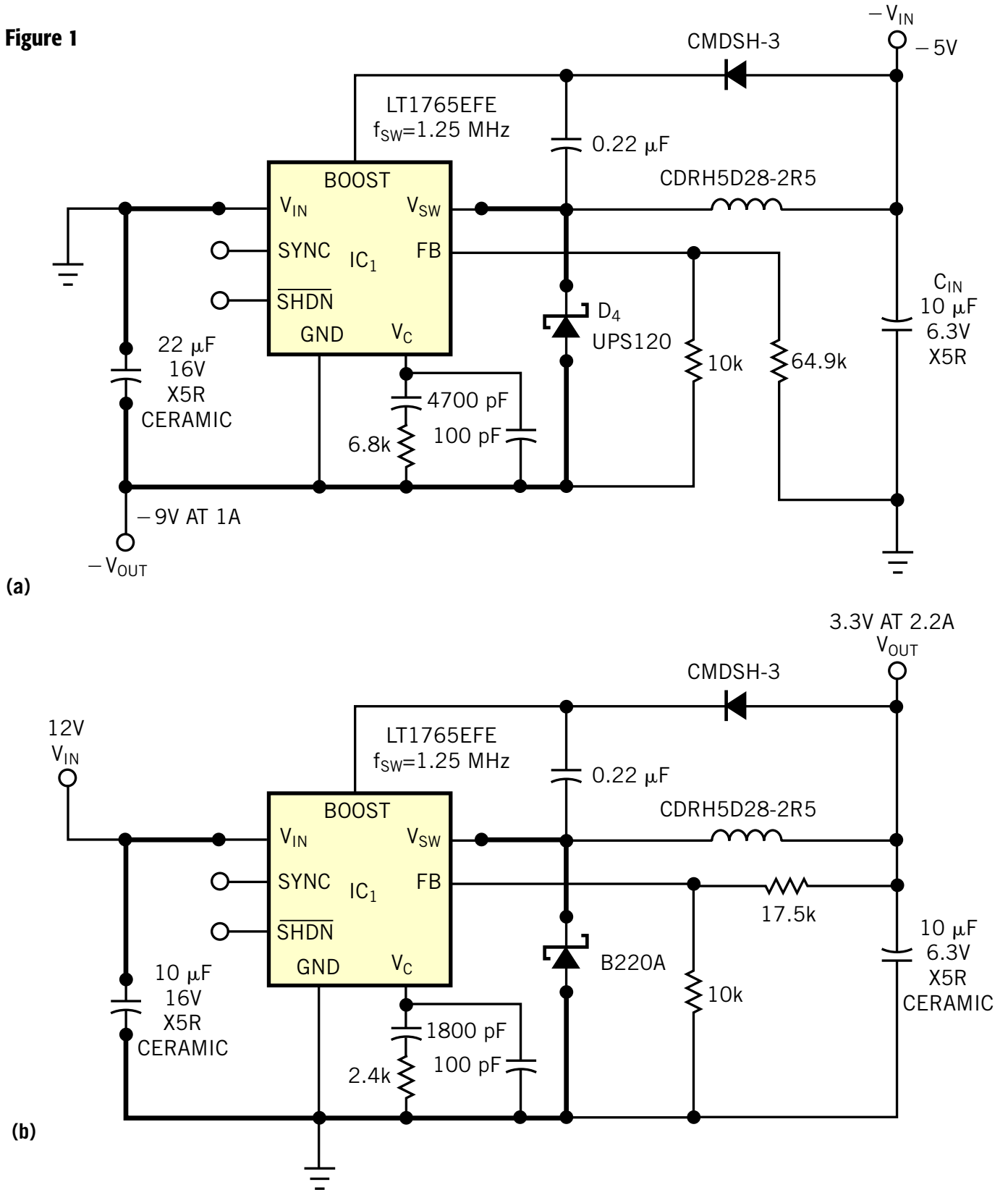


Figure 1



The LT1765EFE positive buck converter can make a negative boost converter (a) or a positive buck converter (b).