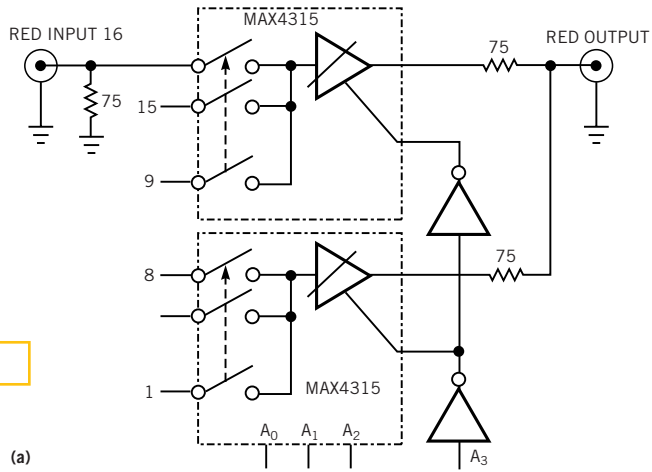
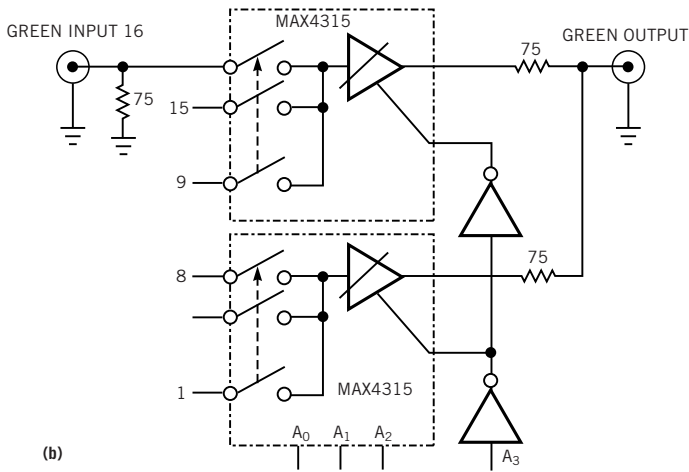


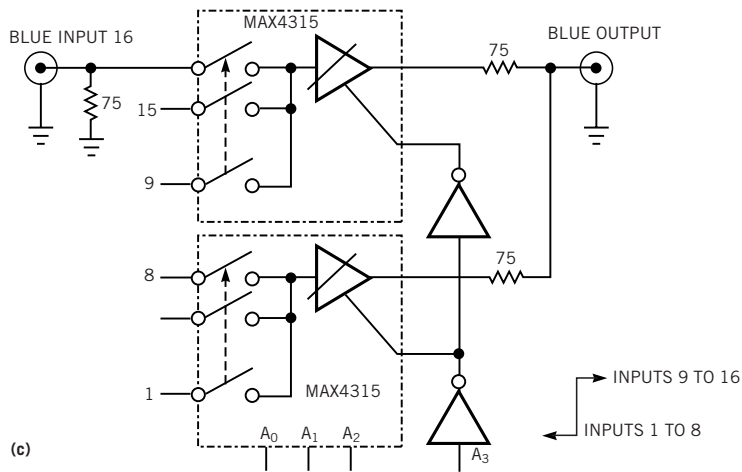
Figure 1



(a)



(b)



(c)

This multiplane multiplexer selects any one of 16 input signals, each of which comprises red (a), green (b), and blue (c) channels.