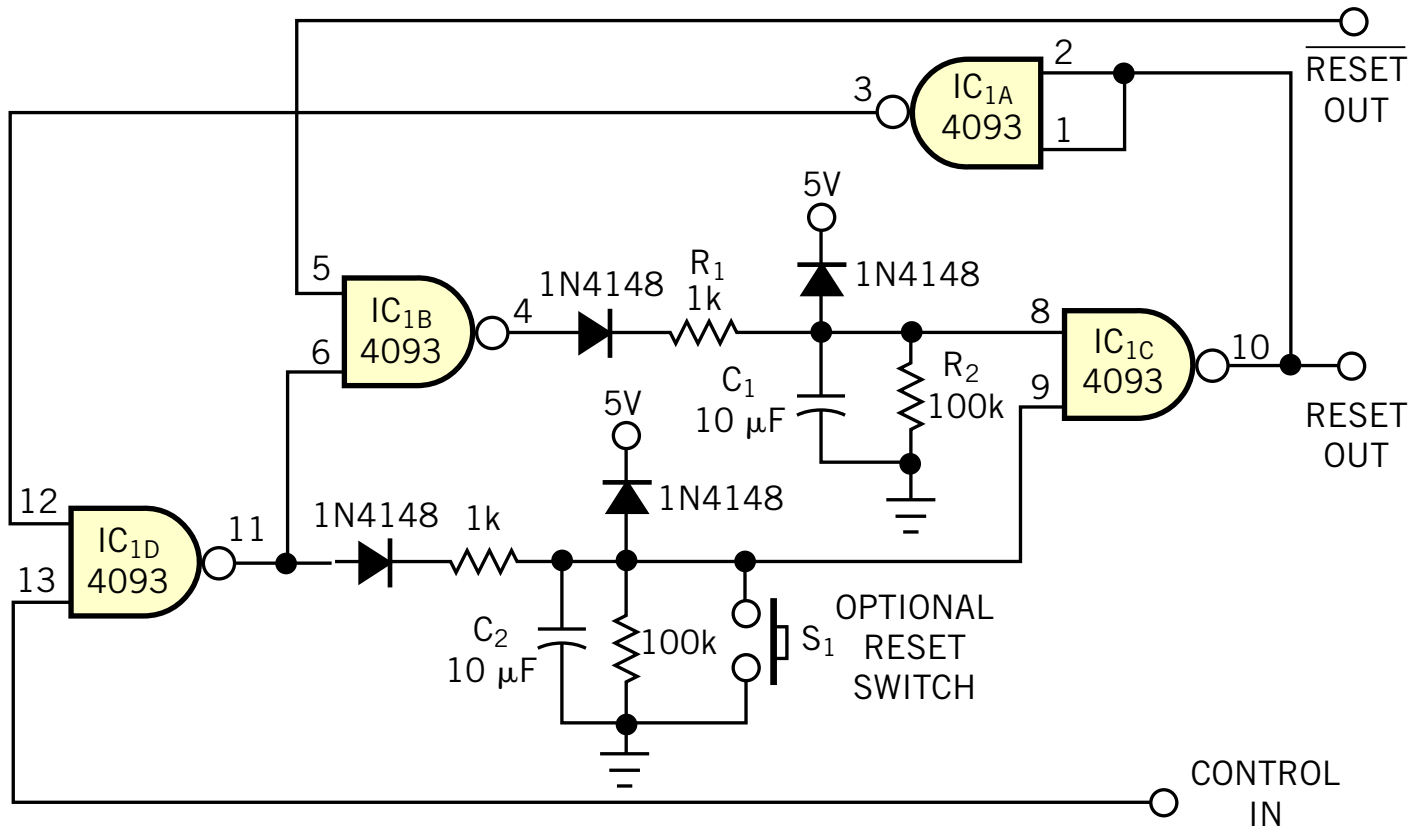


Figure 1



This watchdog-timer circuit is a cost-effective alternative to dedicated watchdog ICs.