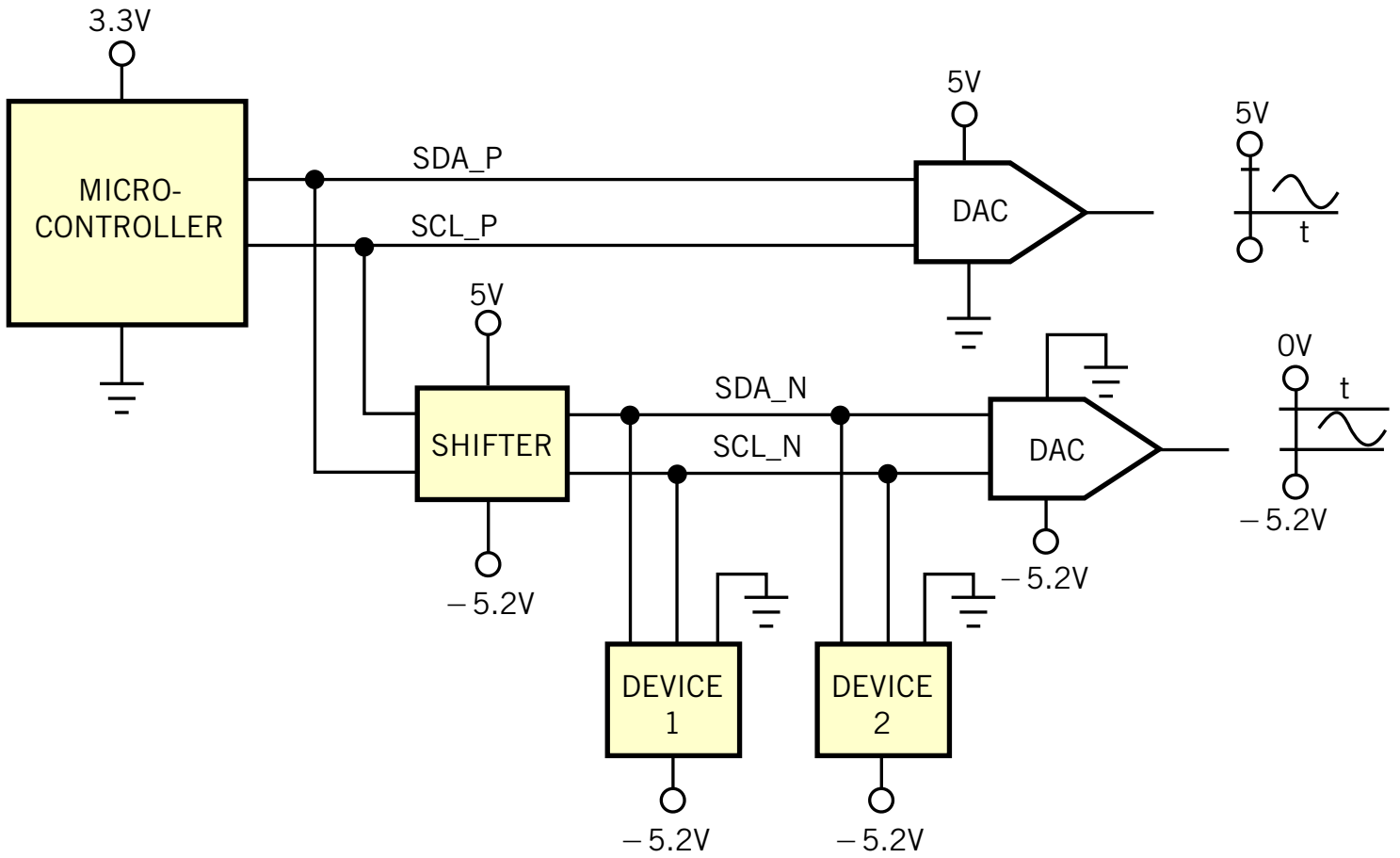


Figure 1



In this typical I2C configuration, the microcontroller is the master, and all the peripheral devices are slaves.