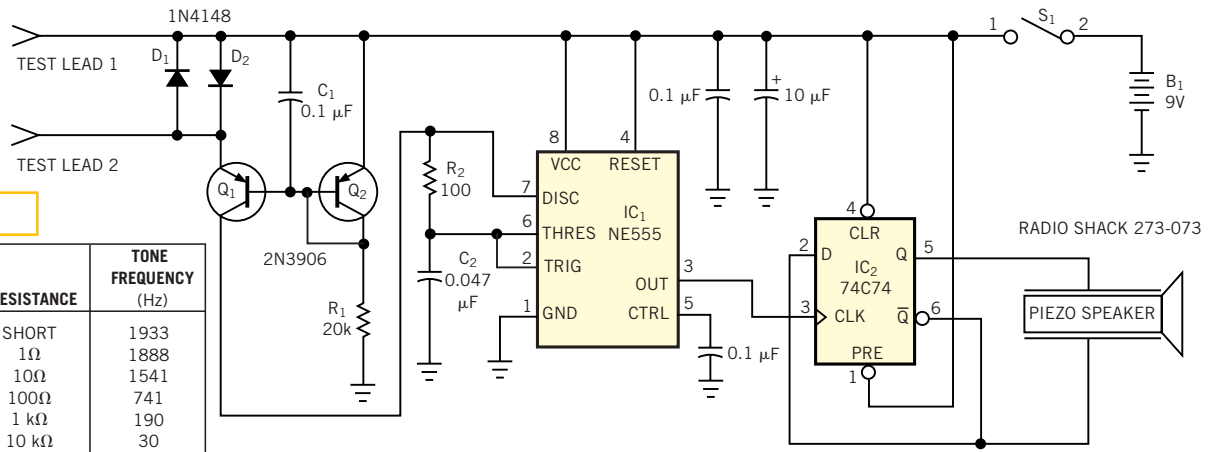


Figure 1

RESISTANCE	TONE FREQUENCY (Hz)
SHORT	1933
1Ω	1888
10Ω	1541
100Ω	741
1 kΩ	190
10 kΩ	30
100 kΩ	5.6
OPEN	~1



Use your ears to test continuity with this audible-tone circuit tracer.