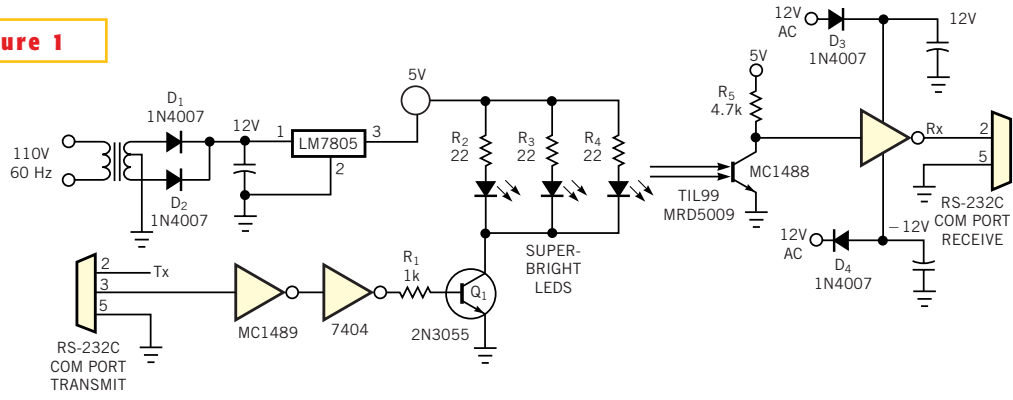


Figure 1



This circuit provides a visible indication of RS-232C data transmission.