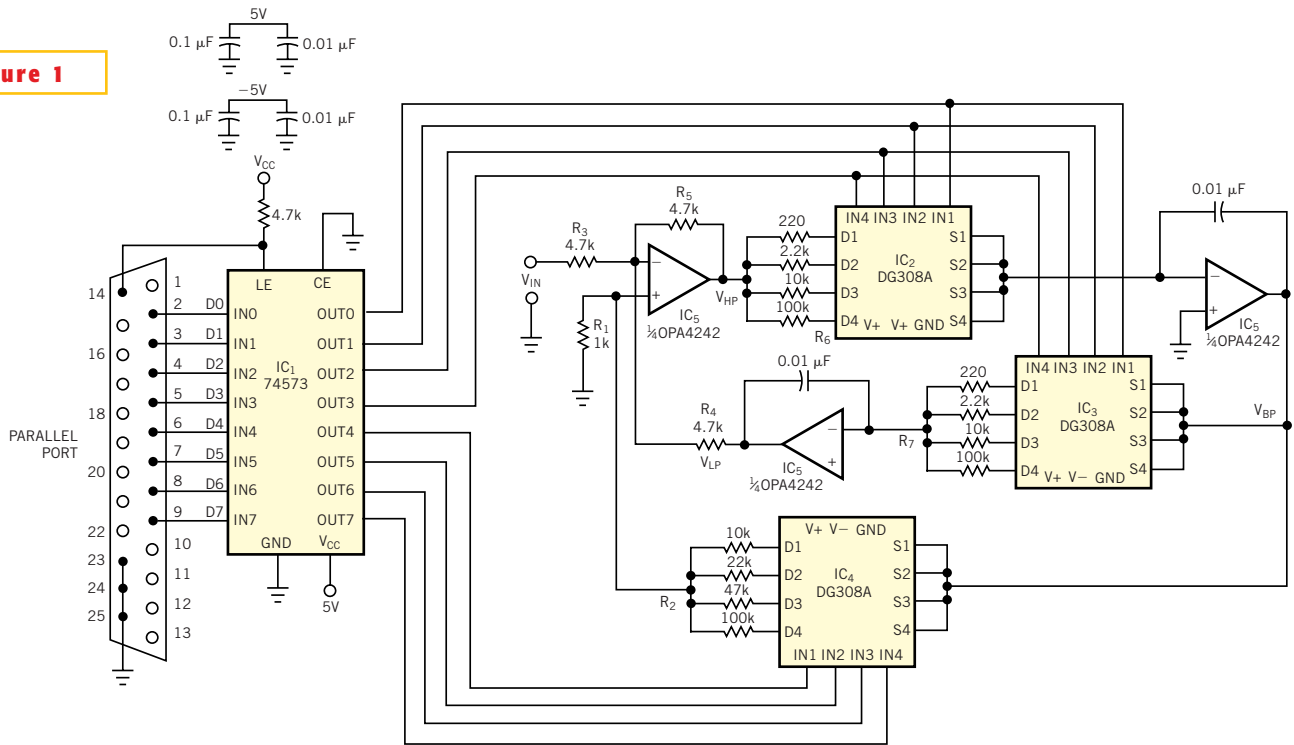


Figure 1



You can use a PC-configurable filter design to select both Q and center frequency.