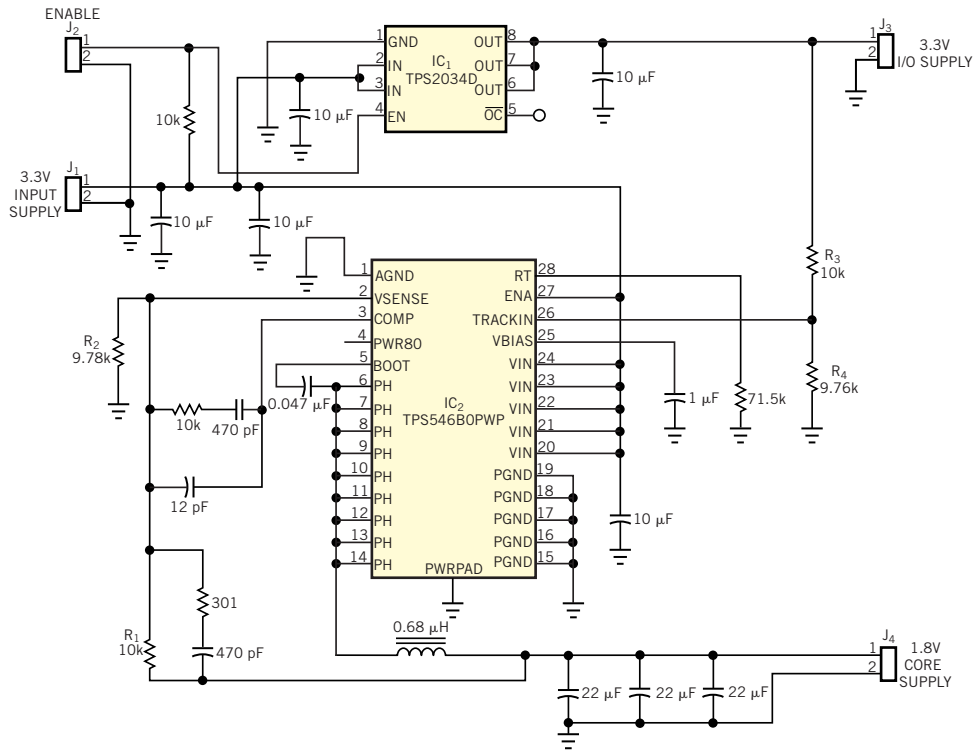


Figure 1



This power-supply-sequencing circuit eliminates latch-up problems and reduces FPGA start-up transient currents.