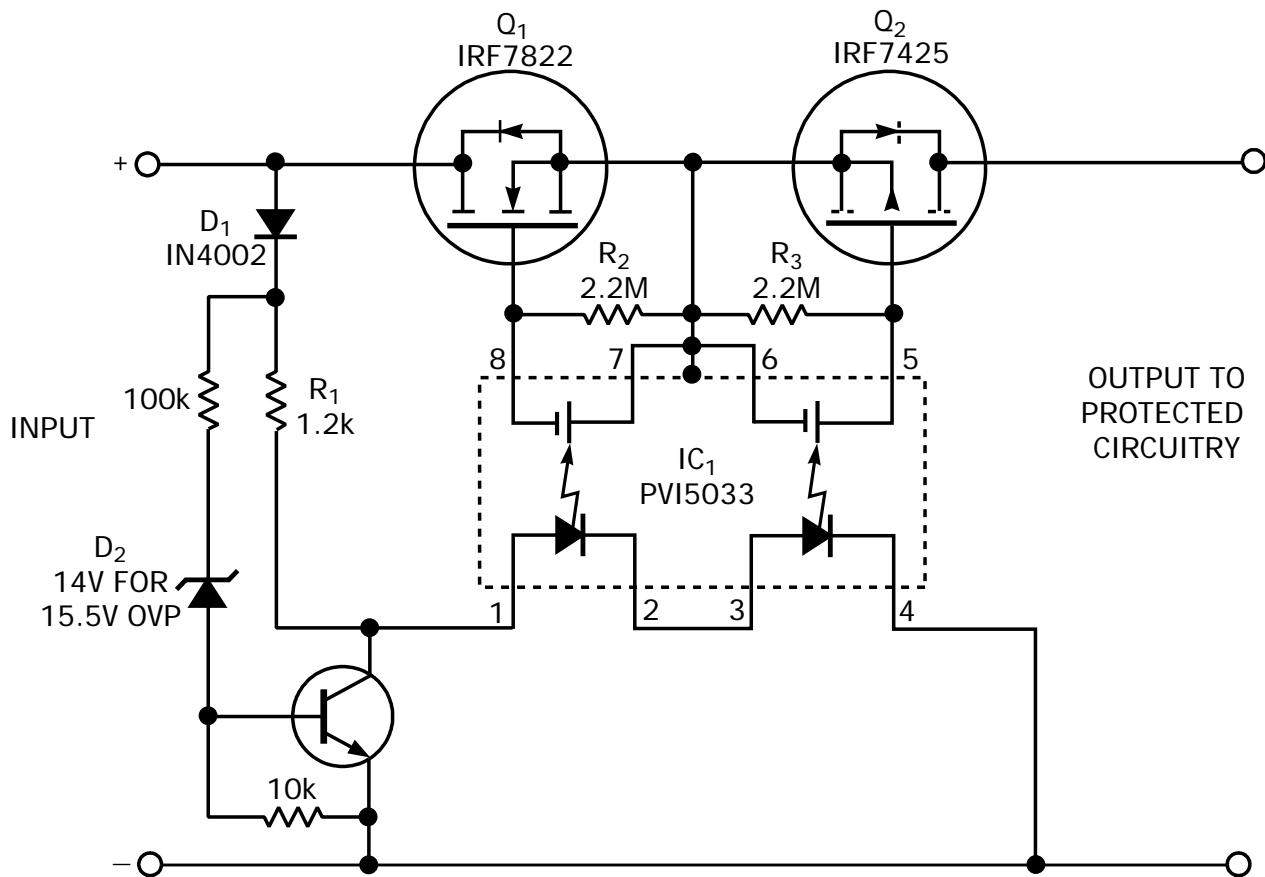


Figure 1



This polarity-protection circuit incurs lower forward-voltage drop than the best Schottky diodes.

Please note: This figure reflects corrections to the original image that ran in the Feb 6, 2003, print issue.