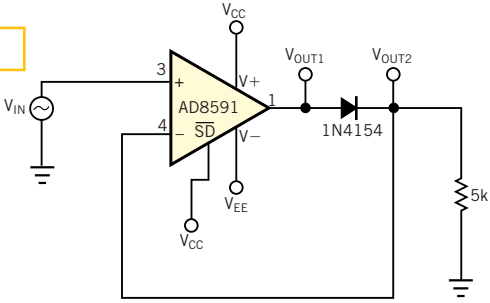


**Figure 1**



**This circuit is a typical half-wave-rectifier configuration.**