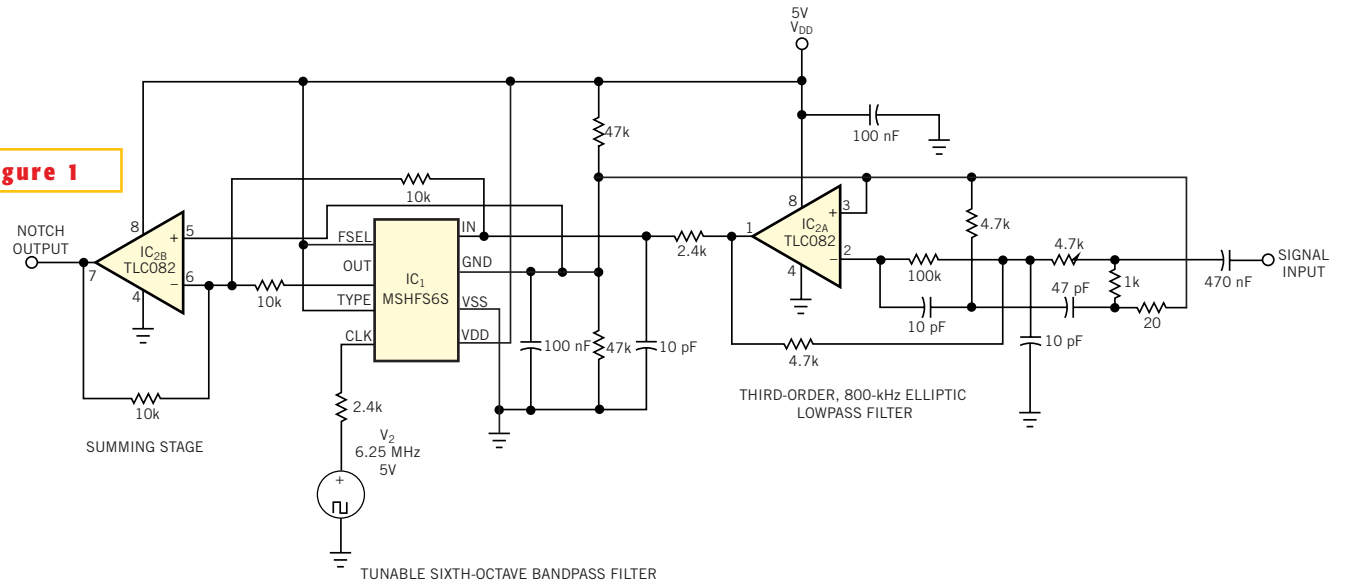


Figure 1



An op amp and a switched-capacitor filter combine to form a highly selective notch filter.