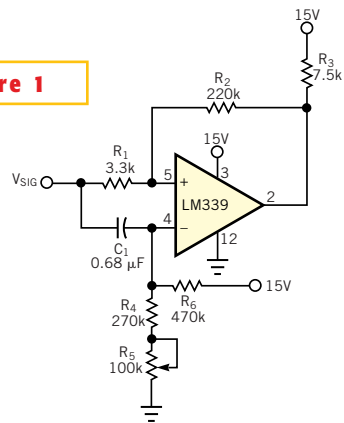


Figure 1



By presenting the noise signal to both inputs of the comparator, this circuit can compare the dc levels of the signal and the reference.