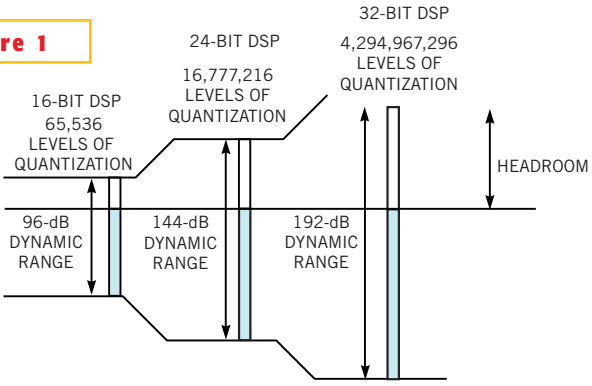


**Figure 1**



**Greater per-sample bit precision leads to a wider dynamic range and decreased chance that this link in the audio-reproduction chain will be the weakest (courtesy Analog Devices).**