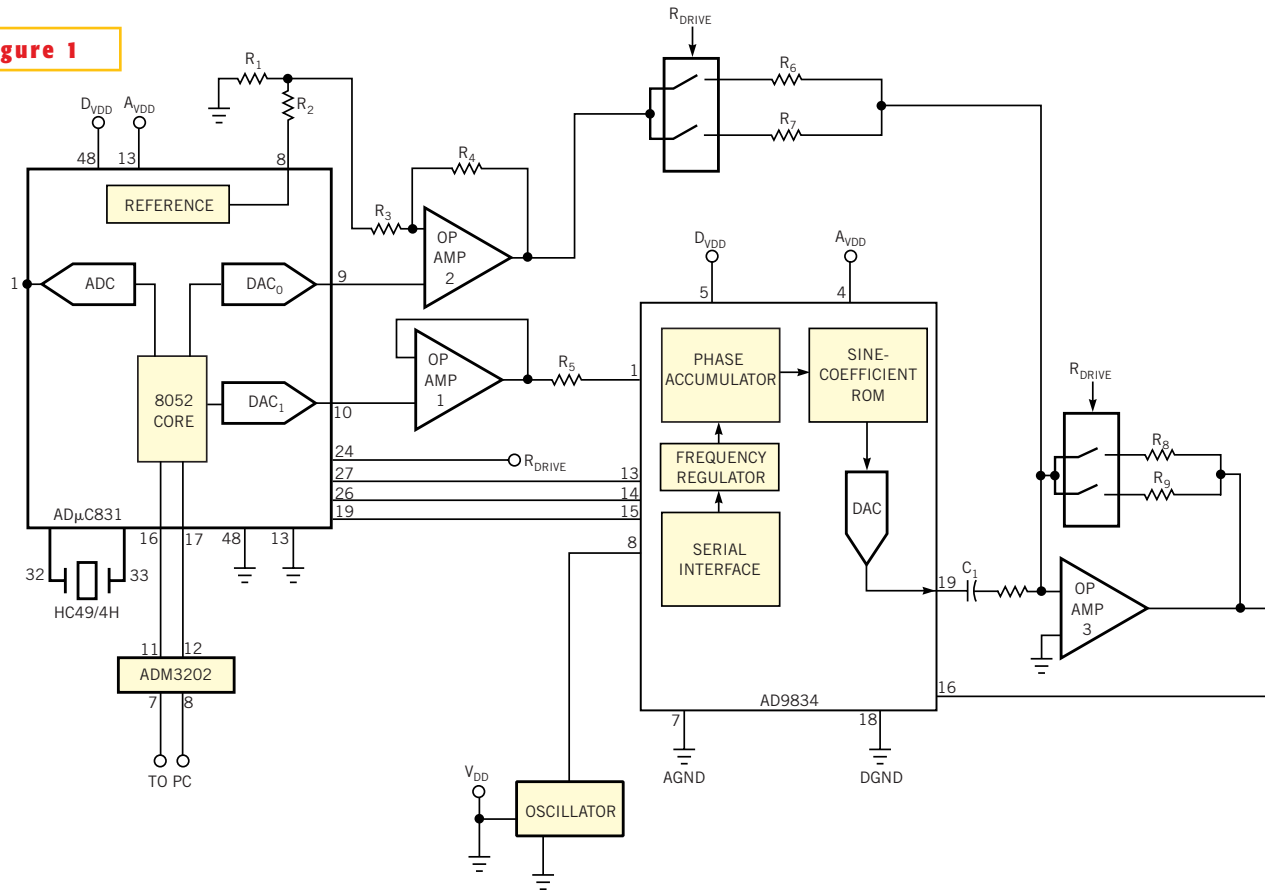


Figure 1



A DDS chip and a microcontroller combine to form a multiwaveform signal generator.