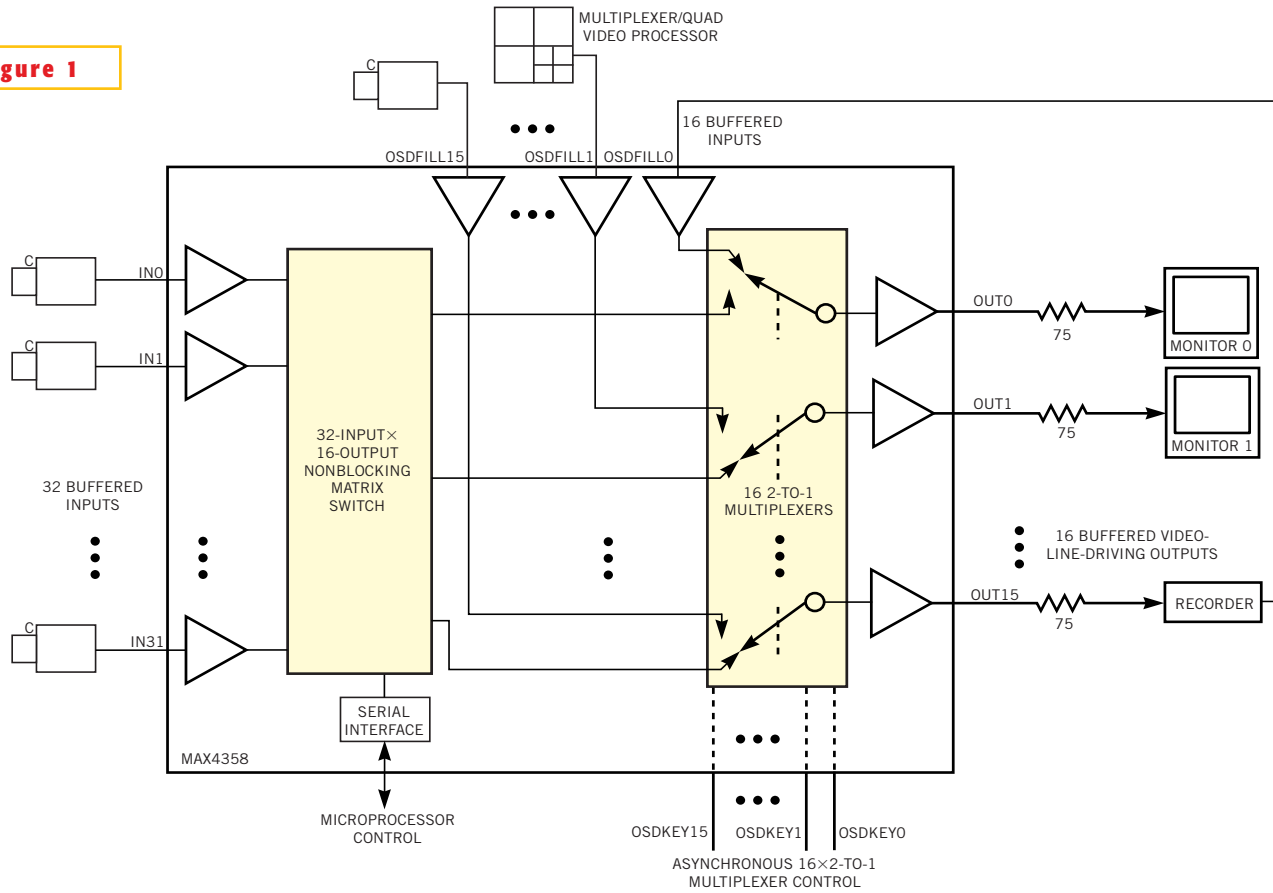


Figure 1



Internal buffers allow this IC to implement a 48-input x 16-output matrix switch without the need for external multiplexer amps.