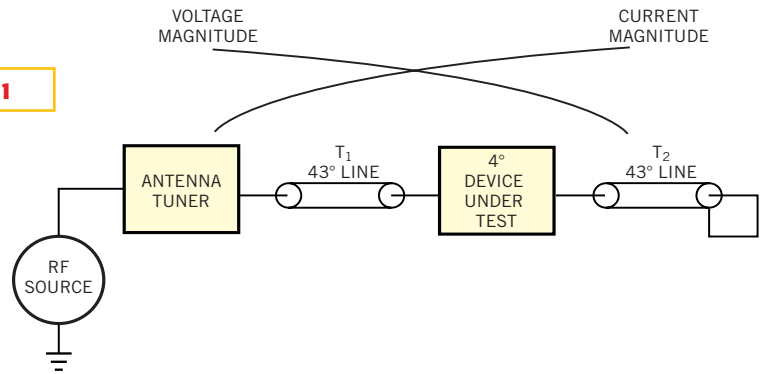


Figure 1



As if by magic, this setup allows you to apply 1 kW to a device using only a 100W generator.