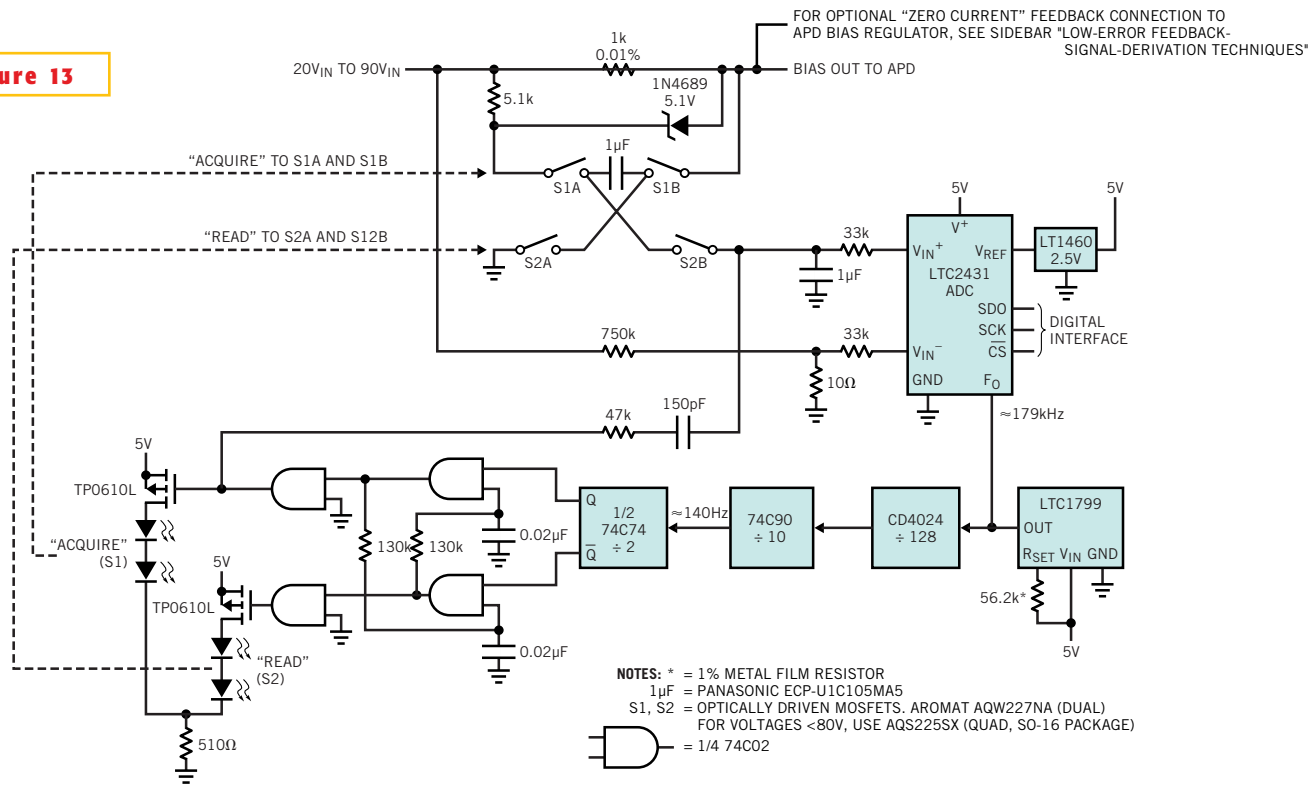


Figure 13



Adding an A/D converter to Figure 12a's optically driven FET-based current monitor provides for a digital output with 0.09% accuracy.