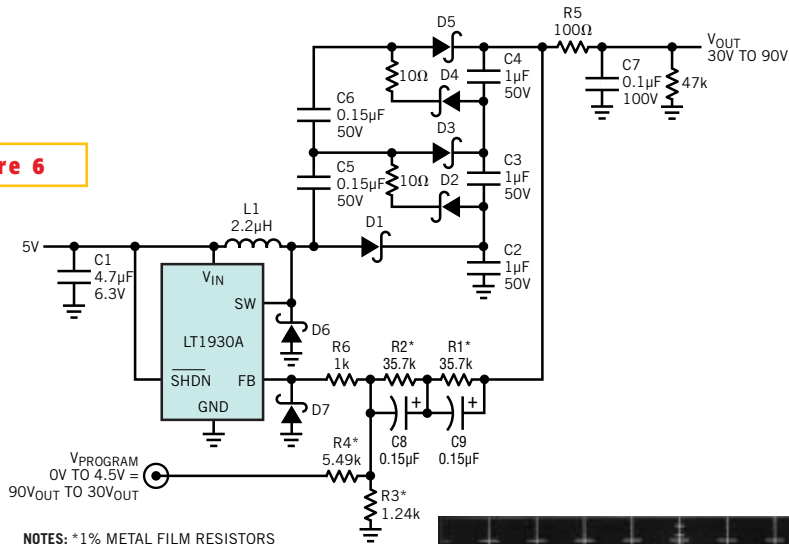


**Figure 6**

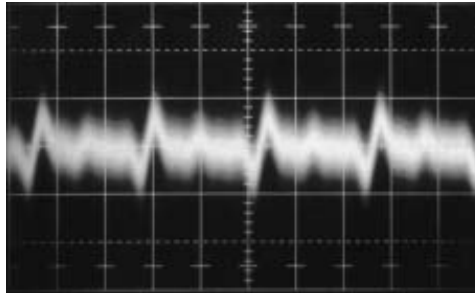


- NOTES:** \*1% METAL FILM RESISTORS  
 C1: TAIYO YUDEN JMK212BJ475MG  
 C2 TO C4: MURATA GRM42-2X7R105K050  
 C7: TAIYO YUDEN HMK316BJ104ML  
 C8, C9: VISHAY 695D154X9050AZ  
 D1 TO D7: CENTRAL SEMI CMDSH2-3TR  
 L1: MURATA LQH32C2R2M24

(a)

**A boost regulator and charge pump supply APD bias of 30 to 90V (a) with only 200 µV p-p ripple and harmonic residue in a 10-MHz bandwidth (b).**

100 µV/DIV  
 AC COUPLED



(b)

200 nSEC/DIV