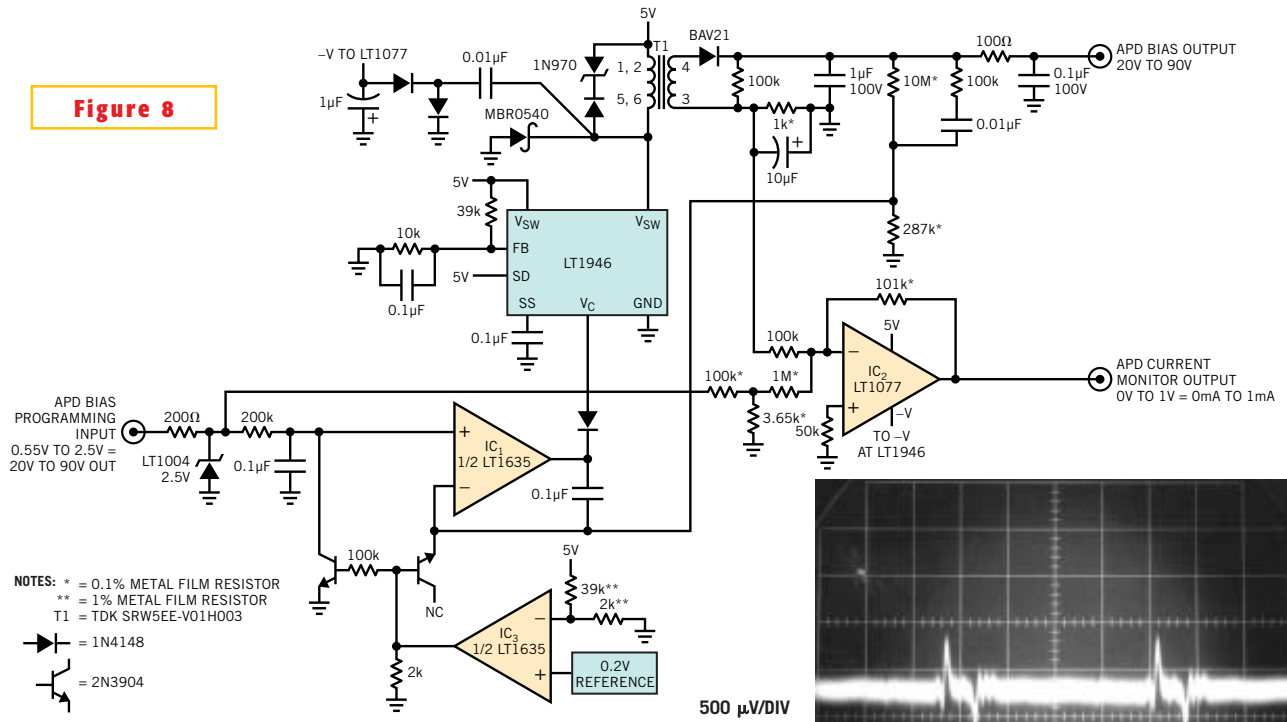


Figure 8

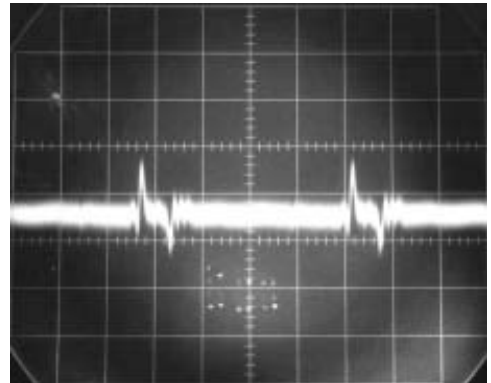


(a)

IC₁ controls an LT1946 boost regulator to provide a bias supply of 20 to 90V (a). IC₂ senses APD current to 0.25% across the 1-kΩ shunt in T₁'s output return. Output noise measures 1 mV p-p in a 10-MHz bandwidth (b).

500 μV/DIV

(b)



200 nSEC/DIV