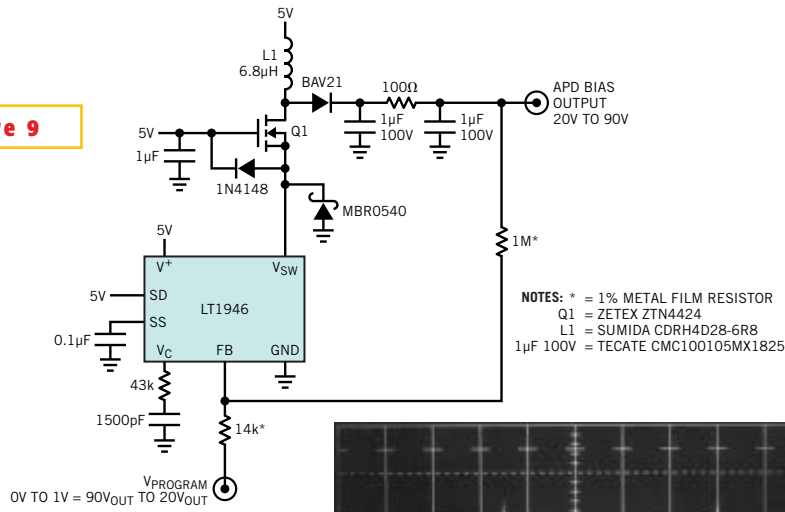
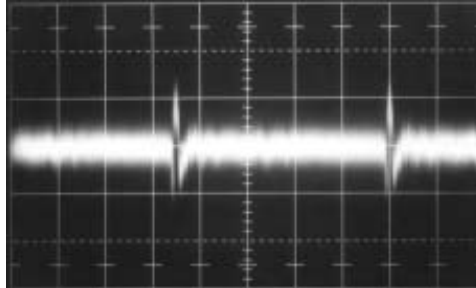


Figure 9



(a) 500 $\mu\text{V}/\text{DIV}$

Q_1 , in a cascode configuration with LT1946, controls L_1 switching to provide an APD bias output of 20 to 90V (a). Bias-supply noise in a 10-MHz bandwidth is approximately 1.3 mV p-p (b).



(b) 200 nSEC/DIV