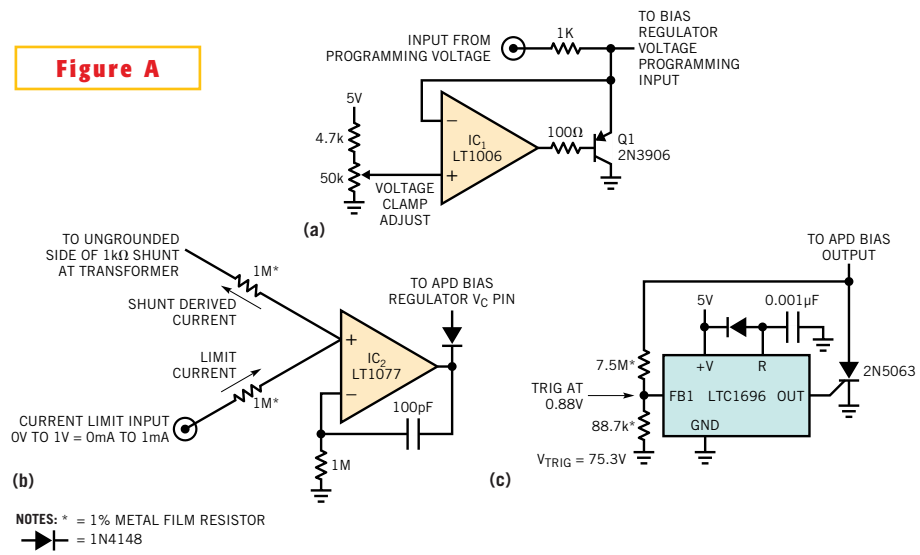


Figure A



Protection-circuit options include a programming-voltage clamp (a), a current limiter (b), and a bias-voltage crowbar (c).