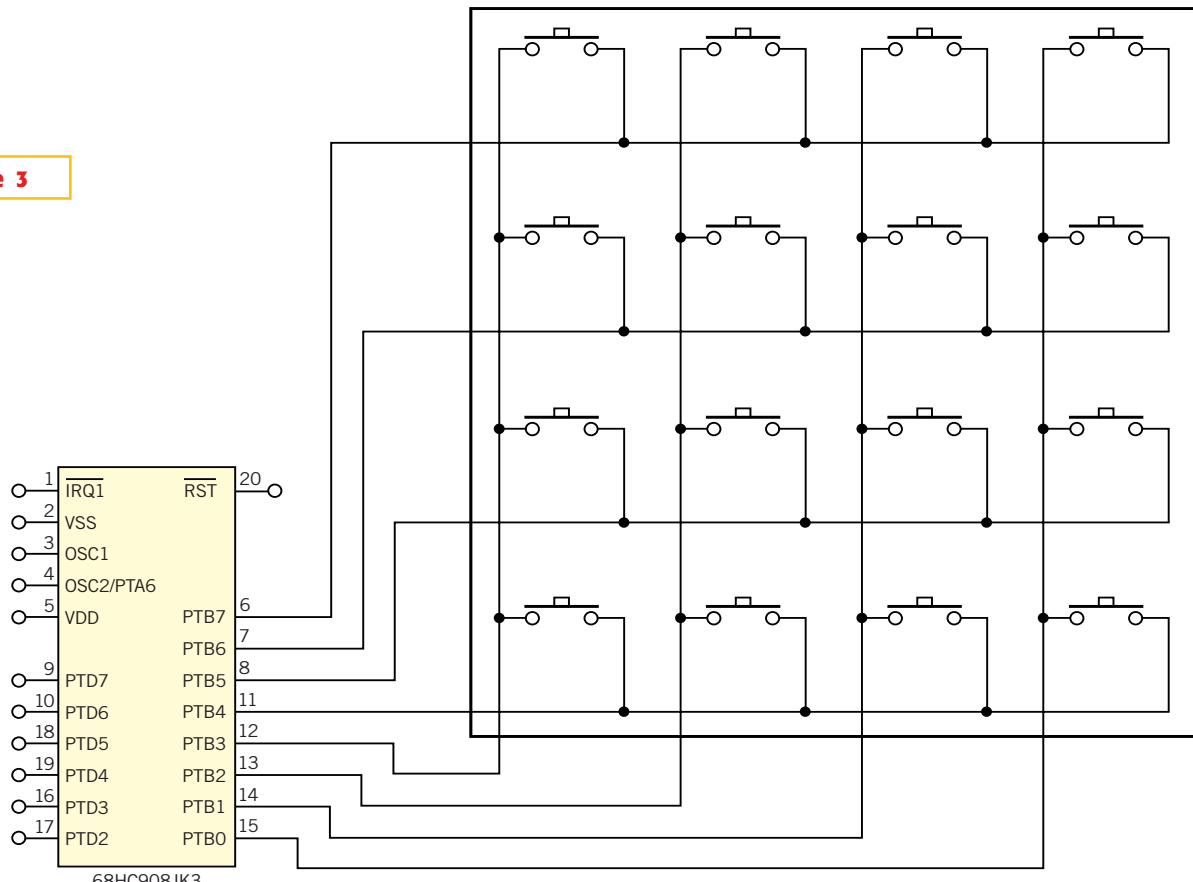


Figure 3



68HC908JK3

In a matrix configuration, you need eight I/O pins to control 16 keys.