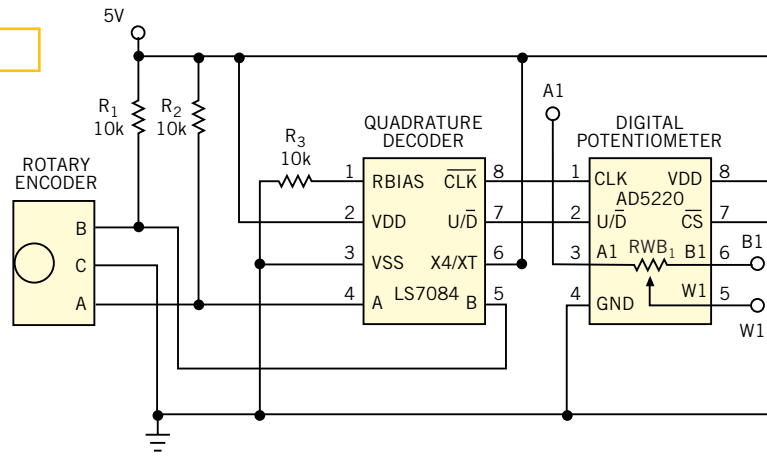


Figure 1



A quadrature decoder and a digital potentiometer form a simple rotary-encoder interface.