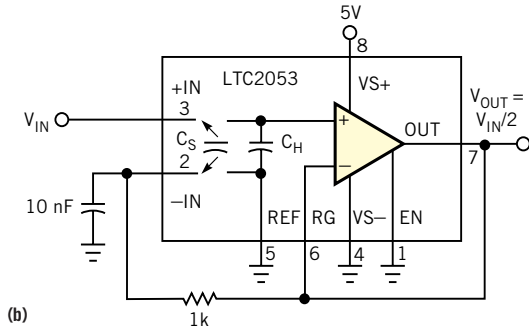
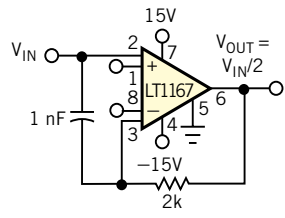


Figure 2



Practical implementations of the circuit in Figure 1 use the LT1167 (a) and the LTC2053 (b).