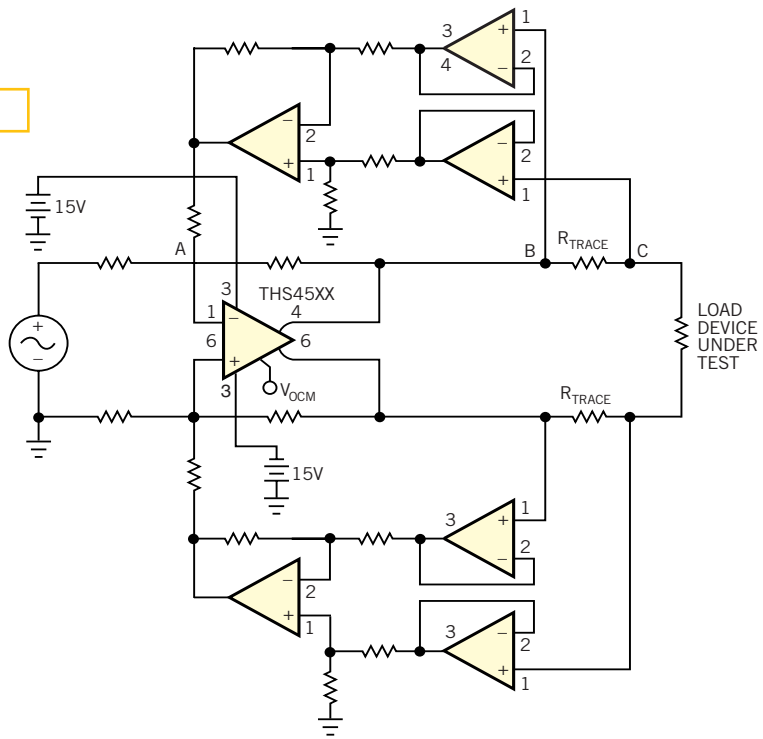


**Figure 1**



**This fully differential circuit compensates for voltage drop and phase shift in transmission lines.**