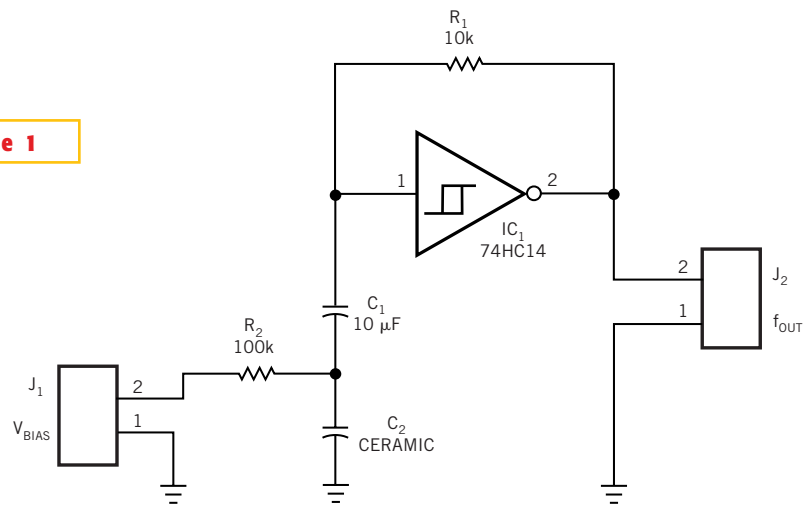


**Figure 1**



**This simple oscillator shows the effect of a dc bias on a multilayer capacitor, C<sub>2</sub>.**