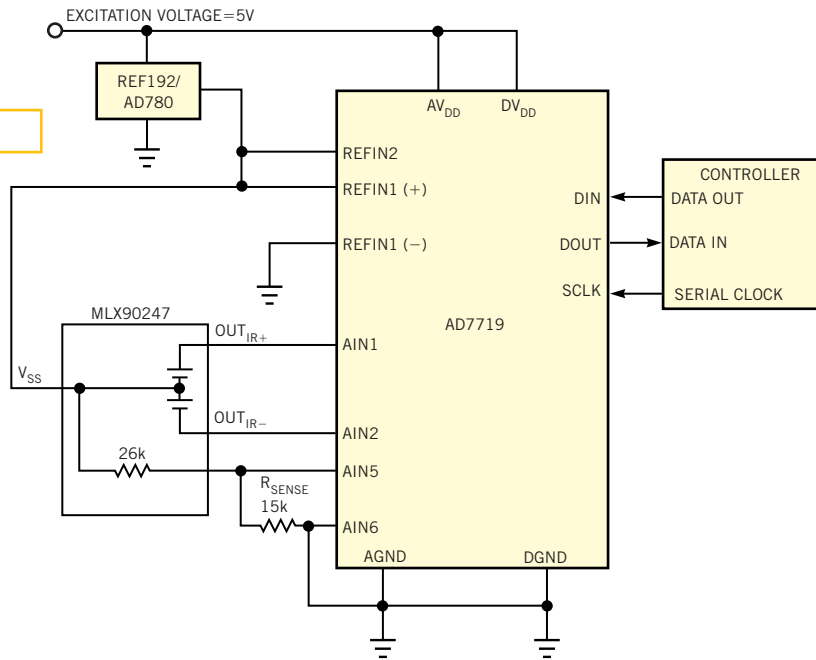


Figure 1



Using an infrared sensor and a sigma-delta ADC, you can make noncontact temperature measurements.