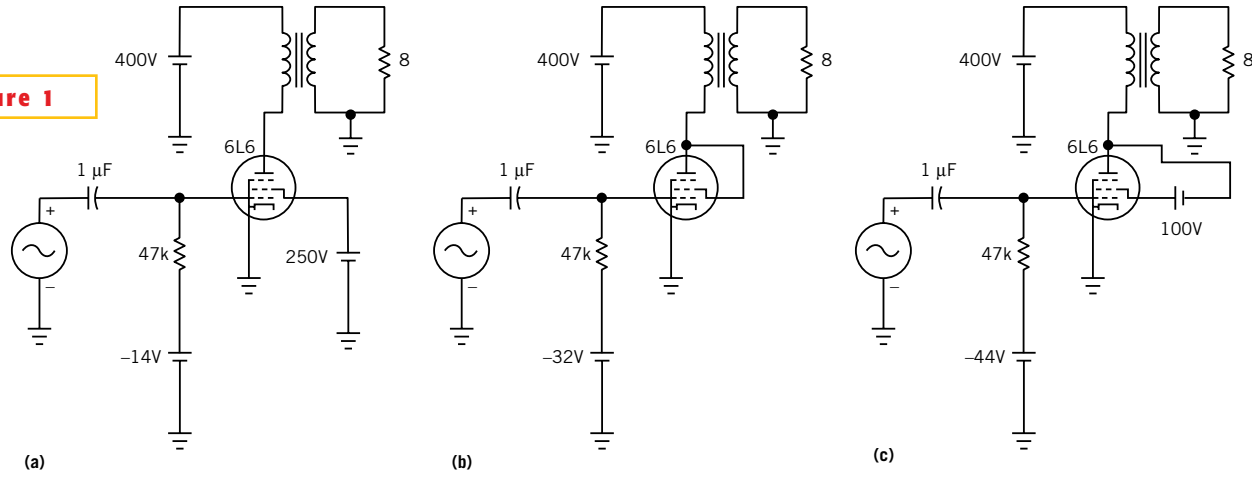


Figure 1



A pentode (a) can deliver much more power than a triode (b), unless you use a boosted-triode configuration (c).