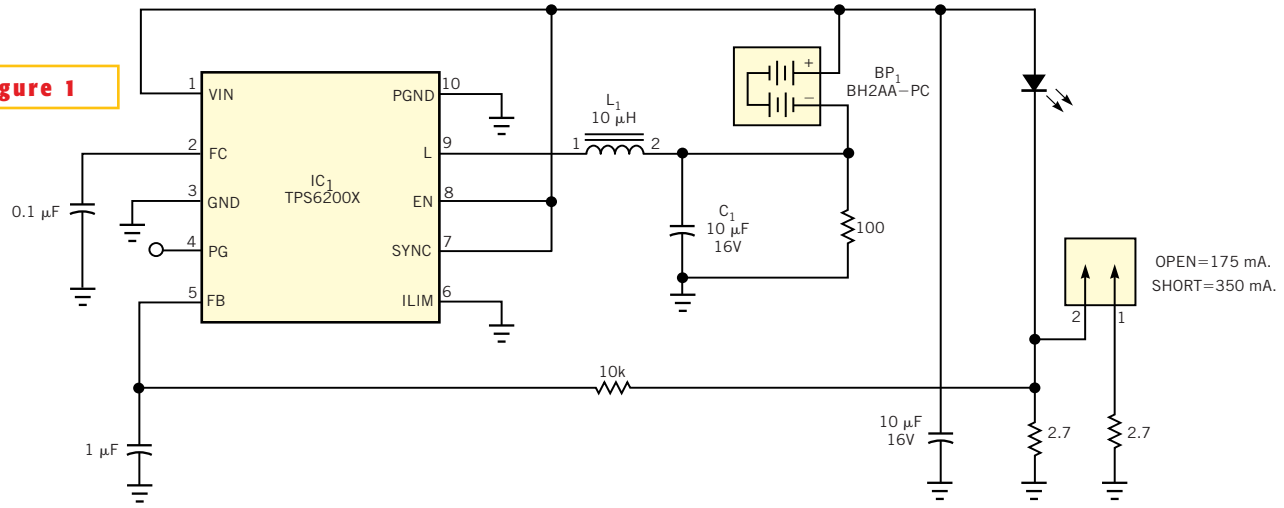


Figure 1



A buck-converter IC is a good choice for boosting voltages for white-LED drive.