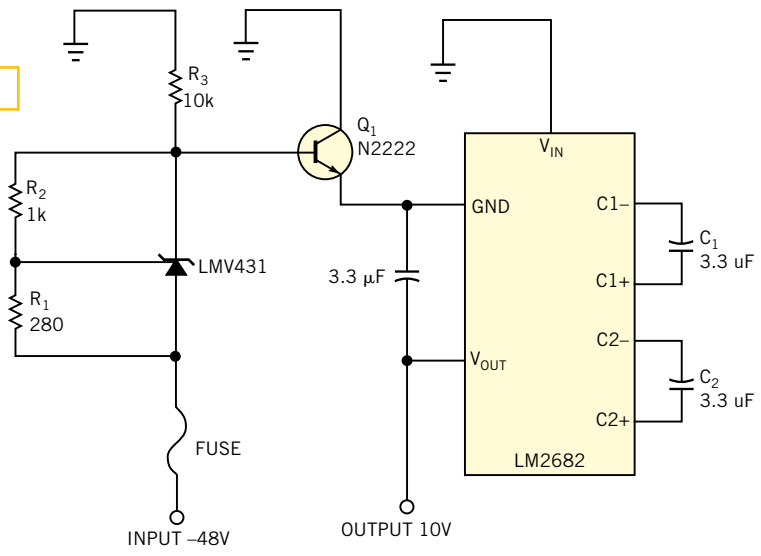


Figure 1



This simple circuit provides a 10V power source from -48V telecom power rails.