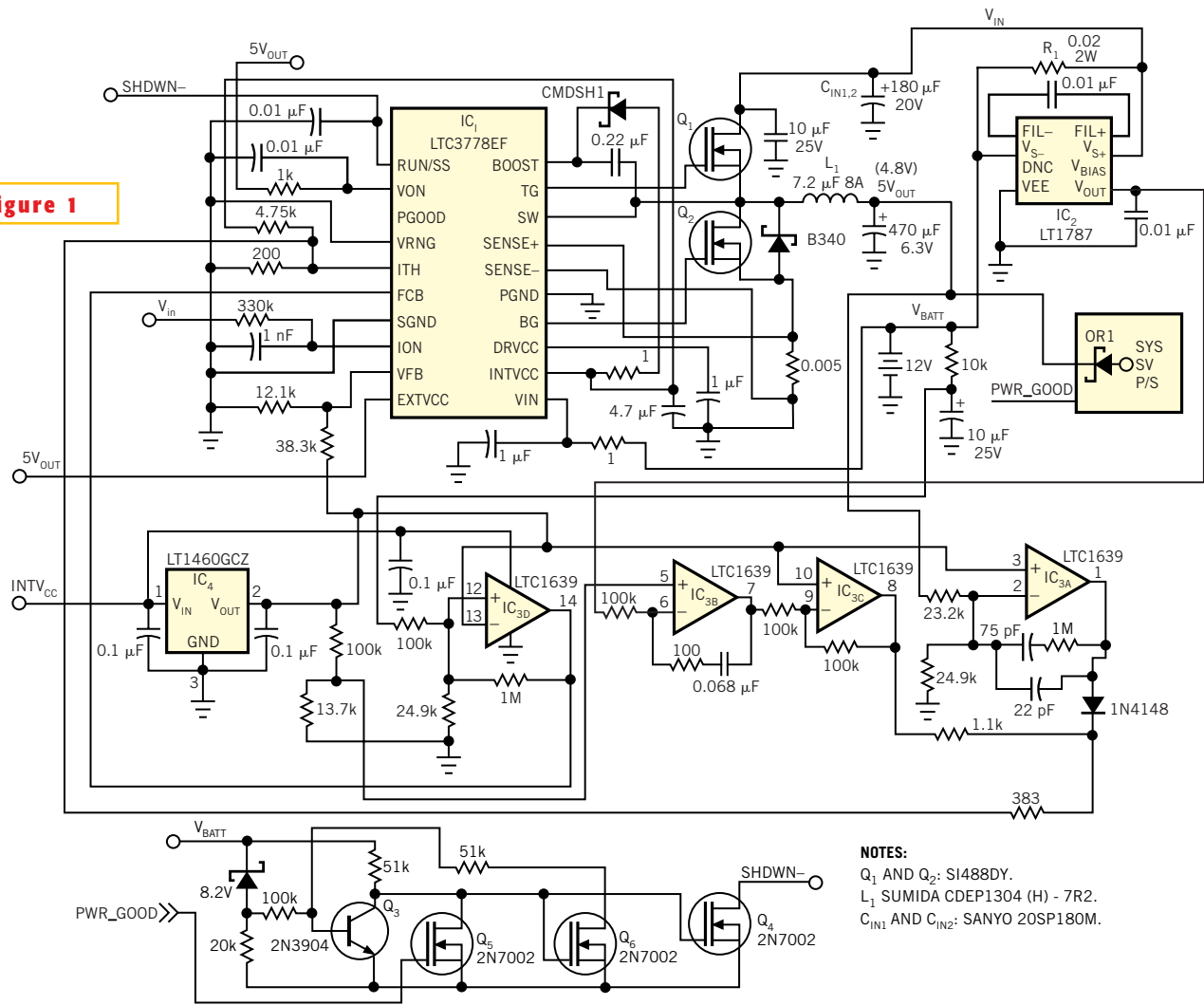


**Figure 1**



This bidirectional converter automatically recharges a battery when the 5V main supply is active.