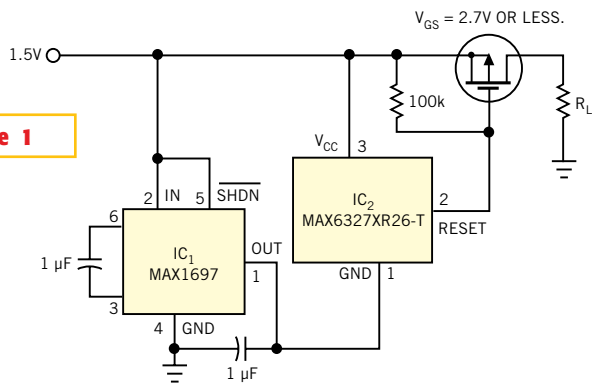


Figure 1



This low-voltage circuit disconnects the load when the supply voltage drops below a predetermined threshold of 1.3V in this case.