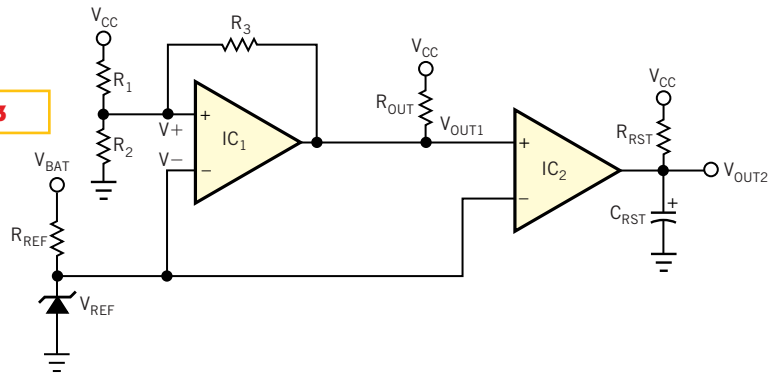


Figure 3



This circuit introduces a time constant in the reset function.