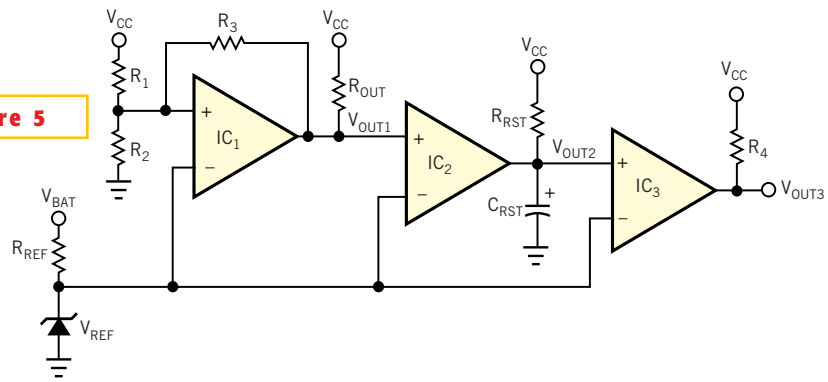


**Figure 5**



The additional comparator in Figure 5 switches when the exponential signal reaches  $V_{REF}$ .