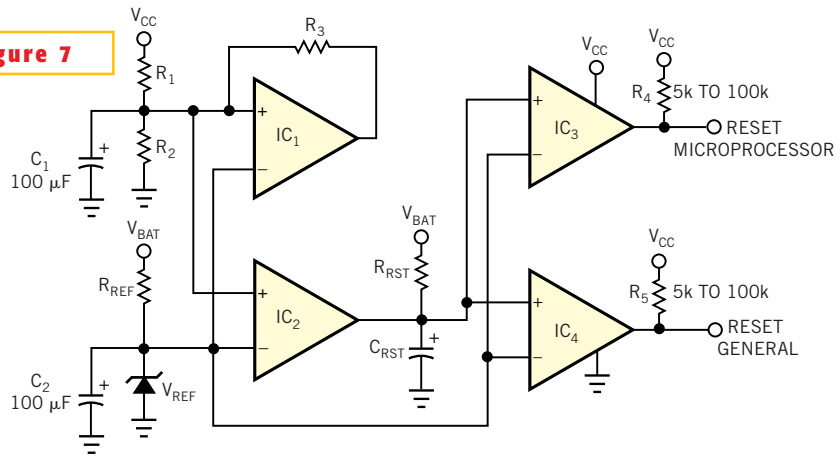


Figure 7



The complete reset circuit can handle microprocessors and other circuitry.